

SEIO™ PROP

Super Flow Pump



FEATURES

- Magnet mount included
- Ceramic shaft
- Ceramic rotor bearing
- High flow rate
- Energy efficient
- Prop impeller rotor
- UL listed

DESCRIPTION

Magnet Mount

Magnet mount support system makes mounting of the pump quick and easy allowing the pump to be secured virtually anywhere in the aquarium.

NOTE: MM50 is for glass thickness up to 1/4in (7mm)
MM100 is for glass thickness up to 3/8in (10mm)
MM200 is for glass thickness up to 1/2in (12mm)

160° Directional Discharge

160° directional discharge enables the pump to be directed and secured at different angles.

Prop Impeller

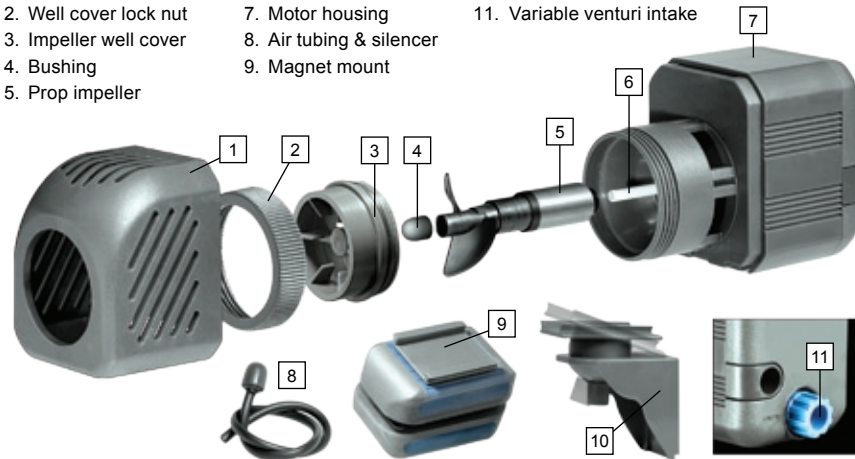
Prop impeller creates high water volume output with low pressure making the pump energy efficient with low heat emissions.

SPECIFICATIONS

Model	Watt		Pump Dimensions L x W x H (Approx.)	Flow Rate GPH/LPH	Magnet Mount	Cord Length	UPC # 0006760
	115V 60Hz	220V 50Hz					
SEIO P320	4.5w	5.6w	2.5in x 1.5in x 1.9in (6.3cm x 3.9cm x 4.8cm)	320/1200	MM50	6ft/ 180cm	0865 2
SEIO P530	7.5w	3w	3.2in x 1.9in x 2.3in (8.3cm x 4.9cm x 5.9cm)	530/2000	MM100		0862 1
SEIO P1000	11.2w	5.7w	4.2in x 2.1in x 2.6in (10.8cm x 5.5cm x 6.6cm)	1000/3800	MM200		0863 8
SEIO P1500	25w	12w	4.7in x 2.4in x 2.9in (12cm x 6.2cm x 7.4cm)	1500/5800			0864 5

PARTS LIST

1. Main housing strainer
2. Well cover lock nut
3. Impeller well cover
4. Bushing
5. Prop impeller
6. Ceramic shaft
7. Motor housing
8. Air tubing & silencer
9. Magnet mount
10. 160° directional discharge
11. Variable venturi intake



REPLACEMENT PARTS

Part Number	Description
5	Seio™ Prop prop impeller

WARNINGS AND SAFEGUARDS

Read and follow the guidelines to insure the proper use and application of this SEIO prop pump. Failure to follow these guidelines may result in damage and serious injury.

SEIO™ PROP

- Do not operate SEIO Prop pump without being fully submersed at all times. Doing so can cause permanent damage to the pump.
- Never operate SEIO prop pump with an electronic wave maker or timing device. As such devices will cause permanent damage to the pump and/or demagnetize the magnetic impeller.
- Prior to maintenance on any electrical aquarium appliance or maintenance to the aquarium, you must disconnect all electrical aquarium devices.
- Routine maintenance is required to insure the maximum performance and the longevity of the SEIO Prop pump. See maintenance guidelines
- The use of a surge suppressor is strongly recommended.
- The national code requires all aquarium equipment to be plugged into a GFCI (Ground Fault circuit Interpreter) electrical outlet
- Do not operate if wire is damaged

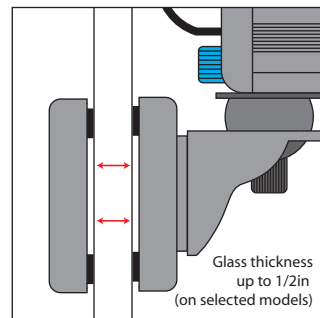
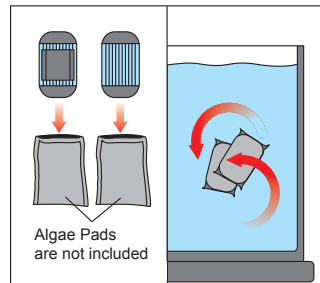
WARNINGS!

It is your sole responsibility to verify that the plug and the receptacle are clean and free of moisture and salt build-up at all times. The receptacle must be free of water, salt, calcium and magnesium. Failure to do so may cause a fire and/or permanent damage to the SEIO Prop pump. Do not plug into an extension cord.

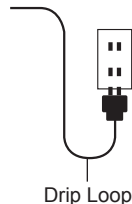
TECHNICAL SERVICE DEPARTMENT
Monday to Friday 9 am - 5 pm PST
(805) 383-3566 ext. 102, e-mail: info@riopump.net

MAGNET MOUNT

- **Very strong magnet! Not a toy! Keep out of reach of children! Failure to do so will cause serious injury and/or permanent damage to your aquarium.**
- **For use on glass thickness up to 12mm/0.47in.**
*Note: MM100 is for glass thickness up to 3/8in
MM200, MM300 and MM500 is for glass thickness up to 1/2in*
- **Keep out of reach of children.**
- **Due to the strength of the magnets, they will attract other metals or magnets with force. When installing or handling magnets, there must not be any other magnets or metals in close proximity to the magnet holders. Failure to do so can cause serious injury.**
- **Keep away from devices sensitive to magnetic fields, such as pacemakers, data carriers, credit cards, electronic equipment and medical devices. Failure to do so may result in permanent damage to such devices.**
- **Never allow magnets to snap together.**
- **Always handle magnets one at a time. Once separated keep a minimum of 12in apart.**
- **Hold magnets only by the sides. Never get your fingers or hands between the contact services.**
- **When using as an algae cleaner, keep the algae pad free of any abrasive materials to avoid any damage to the aquarium. Note: magnets are very strong and will attract other metals and magnets that will embed themselves in the algae pad, thus damaging the aquarium.**



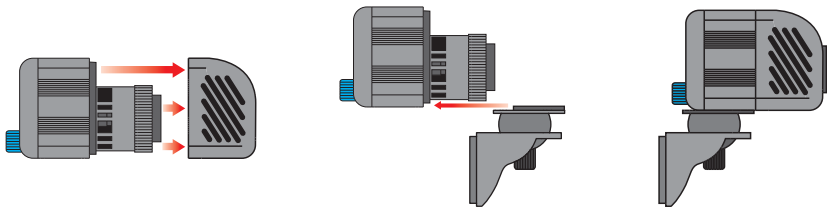
A drip loop must be used when plugging in any electrical aquarium devices into an outlet. The drip loop is that part of the cord which hangs below the level of the receptacle.



DIRECTIONS FOR INSTALLATION

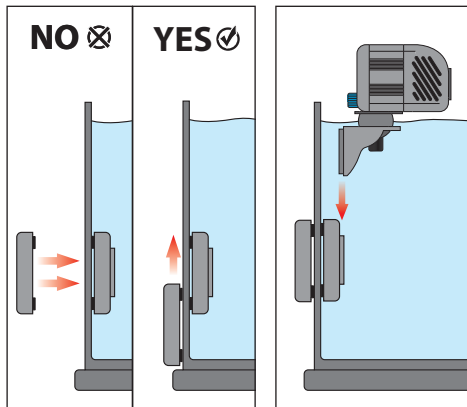
Read all warnings! Handle this product with care. Failure to do so will cause injury and/or damage to your aquarium.

1. Attach the 160° directional discharge to the pump (see diagram)



2. Intall the magnet mount

- Read all warnings! Handle this product with care. Failure to do so will cause injury and/or damage to you aquarium.
- Choose the desired placement for the magnet mount.
- Separate the magnet mount by twisting units apart.
- Place the magnet in the desired location in the aquarium. The magnet must be flat on the glass.
- Place the outer magnet flat on the glass and slide it to the inner magnet unitl they engage.



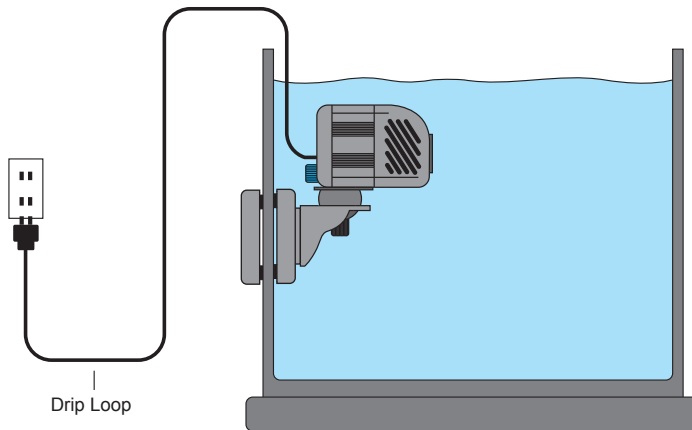
3. Attach the pump to magnet mount.

4. Plug the pump directly to the GFCI outlet.

MAINTENANCE

Routine weekly maintenance is the utmost importance to insure a well operating pump.

- Unplug all electrical aquarium devices prior to maintenance of the aquarium or aquarium component.
- Unplug the pump from the GFCI outlet.
- Slide the pump off the magnet mount.
- Remove the main housing strainer.
- Unscrew the well cover lock nut.
- Remove impeller well cover, the prop impeller and ceramic shaft.
- Clean the prop impeller and shaft with 50% vinegar and 50% water solution. Let them soak for a minimum of 15 minutes. Verify that the Prop impeller spins freely on the shaft. In some cases, it may take additional soaking to break up excess calcium build-up.
- Reassemble Prop impeller verify that all bushing are properly installed.
- Reassemble pump.



LIMITED WARRANTY

T.A.A.M. Inc.® warrants that the Seio™ Prop is free from defects for a period of six months from the initial date of purchase shown on the original cash register receipt. T.A.A.M. Inc.® disclaims all other warranties of merchantability and/or fitness for a particular purpose. Although this limited warranty may give you specific rights, you may have other rights that may vary from state to state. This warranty is void if the failure of the controller or any part, sealant or component there of is due to (i) misuse, (ii) tampering, (iii) negligence, (iv) misapplication, (v) abuse, (vi) accident and/or (vii) failure to properly (a) maintain, (b) clean, (c) keep free from water and moisture and/or use the controller with a Ground Fault Circuit Interrupter (GFCI).

CONSUMER REMEDIES

T.A.A.M. Inc.®'s entire liability and your sole and exclusive remedy shall be either repair or replacement of the Seio™ Prop only if you return the defective unit directly to T.A.A.M. Inc.® with the original receipt in its original box along with seven dollars (\$7.00) for shipping and handling. Do not send Seio™ Prop by insured mail. You may send your returns or replacements by UPS if requiring a signature upon arrival. Any replaced unit will be warranted for the remaining time of the original warranty period. In no event shall any shipping charges be reimbursed. In no event will T.A.A.M. Inc.® be liable for any consequential or incidental damages, including but not limited to, lost sea life, personal injury, property damage, equipment damage, lost profits, lost wages, lost savings, lost income, etc., arising out of the use of the Seio™ Prop. Some states do not allow for the limitation or exclusion of liability for incidental or consequential damages, so the above exclusion may not apply to you.

RETURNS

Please contact our service center at (805) 383-3566 ext. 102 or fax (805) 383-3565 to arrange repair and/or replacement. Please allow 4-6 weeks for all returns.

WARRANTY CARD

Please mail warranty card and PROOF OF PURCHASE within 15 days of purchase to:
T.A.A.M. Inc.®, 1011 Avenida Acaso, Ste. A, Camarillo, CA 93012, USA.

Model #:

Customer's Name:

Date of Purchase:

Address:

Dealer Name:

Phone #:

TAAM INC.®

TAAM INC.®

Technological Aquatic Associated Manufacturing Inc.
1011 Avenida Acaso, Ste. A, Camarillo, CA 93012, USA
Fax: (805) 383-3565. www.riopump.net

Distributed in the UK by ALF
(Aquatic Distributors) Ltd.
©2008 TAAM, Inc.
Made in Taiwan

Specifications & technical information may change without notice